



HEINE Direct Ophthalmoscopes



BETA200 S



BETA200
Opt. 1



BETA200 M2
Opt. 2



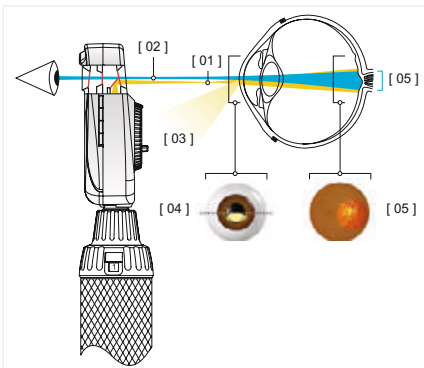
K180
Opt. 1 Opt. 2

mini3000

	BETA200 S	BETA200	BETA200 M2	K180	mini3000
Optical System					
Aspherical	<input type="checkbox"/>	<input type="checkbox"/>	<input type="checkbox"/>	<input type="checkbox"/>	<input type="checkbox"/>
Conventional	<input type="checkbox"/>	<input type="checkbox"/>	<input type="checkbox"/>	<input type="checkbox"/>	<input type="checkbox"/>
Illumination					
LED illumination	<input type="checkbox"/>	<input type="checkbox"/>	<input type="checkbox"/>	<input type="checkbox"/>	<input type="checkbox"/>
XHL illumination	<input type="checkbox"/>	<input type="checkbox"/>	<input type="checkbox"/>	<input type="checkbox"/>	<input type="checkbox"/>
Apertures					
	<input type="checkbox"/>	<input type="checkbox"/>	<input type="checkbox"/>	<input type="checkbox"/>	<input type="checkbox"/>
	<input type="checkbox"/>	<input type="checkbox"/>	<input type="checkbox"/>	<input type="checkbox"/>	<input type="checkbox"/>
	<input type="checkbox"/>	<input type="checkbox"/>	<input type="checkbox"/>	<input type="checkbox"/>	<input type="checkbox"/>
	<input type="checkbox"/>	<input type="checkbox"/>	<input type="checkbox"/>	<input type="checkbox"/>	<input type="checkbox"/>
	<input type="checkbox"/>	<input type="checkbox"/>	<input type="checkbox"/>	<input type="checkbox"/>	<input type="checkbox"/>
	<input type="checkbox"/>	<input type="checkbox"/>	<input type="checkbox"/>	<input type="checkbox"/>	<input type="checkbox"/>
	<input type="checkbox"/>	<input type="checkbox"/>	<input type="checkbox"/>	<input type="checkbox"/>	<input type="checkbox"/>
	<input type="checkbox"/>	<input type="checkbox"/>	<input type="checkbox"/>	<input type="checkbox"/>	<input type="checkbox"/>
	<input type="checkbox"/>	<input type="checkbox"/>	<input type="checkbox"/>	<input type="checkbox"/>	<input type="checkbox"/>
Corrective lenses					
Range	- 36 to +38	- 35 to +40	- 35 to +40	- 35 to +40	- 20 to +20
Number of lenses	28	27	27	27	18
1D Steps	<input type="checkbox"/>	<input type="checkbox"/>	<input type="checkbox"/>	<input type="checkbox"/>	<input type="checkbox"/>
Dust protection					
Dustproof	<input type="checkbox"/>	<input type="checkbox"/>	<input type="checkbox"/>	<input type="checkbox"/>	<input type="checkbox"/>
Dust protected	<input type="checkbox"/>	<input type="checkbox"/>	<input type="checkbox"/>	<input type="checkbox"/>	<input type="checkbox"/>
Aluminium frame system	<input type="checkbox"/>	<input type="checkbox"/>	<input type="checkbox"/>	<input type="checkbox"/>	<input type="checkbox"/>
Instrument size					
Professional	<input type="checkbox"/>	<input type="checkbox"/>	<input type="checkbox"/>	<input type="checkbox"/>	<input type="checkbox"/>
Compact	<input type="checkbox"/>	<input type="checkbox"/>	<input type="checkbox"/>	<input type="checkbox"/>	<input type="checkbox"/>
Available power sources					
Battery 2.5V	<input type="checkbox"/>	<input type="checkbox"/>	<input type="checkbox"/>	<input type="checkbox"/>	<input type="checkbox"/>
Rechargeable battery 2.5V	<input type="checkbox"/>	<input type="checkbox"/>	<input type="checkbox"/>	<input type="checkbox"/>	<input type="checkbox"/>
Rechargeable battery 3.5V	<input type="checkbox"/>	<input type="checkbox"/>	<input type="checkbox"/>	<input type="checkbox"/>	<input type="checkbox"/>
Page	051	052	056	056	057 / 059

*Red-free filter for all apertures

“Aspherical Optical System” (AOS) exclusively from HEINE eliminates corneal and iris reflexes to provide large, crisp and glare-free fundus images.



- [01] Flat, elliptical illumination beam produced by HEINE's Aspherical Optical System.
- [02] Observation path.
- [03] Redirected iris and corneal reflexes.
- [04] The elliptical light beam enters through the lower half of the cornea. The illumination beam has been separated from the observation beam (Gullstrand-Principle). All reflexes are diverted away from the observation beam due to the curvature of the reflective cornea. Due to the flat compressed form of the light beam, a maximum amount of light enters through the pupil.
- [05] Once past the anterior chamber, the light beam opens up dramatically to illuminate a large area of the retina.



HEINE BETA® 200 S LED Ophthalmoscope

Superior aspherical optics with LED^{HQ} illumination

LED^{HQ}
LED NOW IN HEINE QUALITY.



- EXCLUSIVELY AT HEINE**
- Aspherical optical system
 - LED in HQ – Stepless dimmable
 - Aluminium frame system

BETA 200 S with 7 apertures



Cobalt blue filter, fixation star with polar coordinates, large spot, small spot, pinhole, slit, hemisphere



With red-free filter



HEINE AOS film

Exclusive dustproof design protects the precision optical components and ensures maintenance-free operation. The BETA 200/200 S Ophthalmoscopes are the only instruments with an aluminium frame system. Optical components are flush-mounted on a cast aluminum frame, eliminating misalignment and making the instrument shock-resistant. The BETA 200 S LED has virtually unlimited hours of working life. No need to ever replace bulbs. Maintenance-free for a lifetime.

- **Exclusive aspherical optical system (AOS)** for more information see the bottom of page 050.
- HEINE has set a new standard which maintains that only the best is good enough, from the selection of materials to processing, from light intensity to dimmability, and from thermal management to a colour rendering index as high as possible.
That's what we call LED in HEINE Quality – or LED^{HQ}.
- **Special optical interface to precisely integrate the LED illumination with the optical system** to ensure bright, homogeneous light during examinations.
- **The BETA 200 S Ophthalmoscope** accommodates higher refractive errors with a **28 single lenses Rekoss Disc** and features a 74 single step design on a non-continuous wheel avoiding extreme diopter jumps.
 - + in 1 D steps: +1 through +38 D
 - in 1 D steps: -1 through -36 D
- **Patented, unique, stepless dimming** from 3% to 100% with practical one-finger operation.
- **No stray light due to the recessed, multi-coated viewing window** – eliminates distractions.
- **Precise one-hand control of the instrument.** Ergonomic design offers flexibility while examining.
- **Suitable for large as well as small or undilated pupils.**
- **Ergonomic design** fits the orbita comfortably, and blocks out ambient light.
- **Full functionality of the BETA 200 S LED is guaranteed with BETA Rechargeable Handels and the EN 100/EN 200 Wall Transformers.**

BETA 200 S LED Ophthalmoscope	LED
without handle	C-008.30.120

HEINE BETA® 200 S Ophthalmoscope

Superior aspherical optics with XHL illumination



BETA 200 S Ophthalmoscope with XHL Xenon Halogen illumination instead of LED illumination. Other technical specifications the same as the BETA 200 S LED Ophthalmoscope.

- **XHL Xenon Halogen bulb** with bright illumination and authentic colour rendering.

BETA 200 S Ophthalmoscope	2.5V XHL	3.5V XHL
without handle	C-001.30.120	C-002.30.120
XHL Xenon Halogen spare bulb	X-001.88.069	X-002.88.070



HEINE BETA® 200 LED Ophthalmoscope

Superior aspherical optics with LED^{HQ} illumination



The ophthalmoscope with unique aspherical optics and all features of the BETA200S LED, but:



- ∴ Without macula aperture (pinhole)
- ∴ The BETA 200 Ophthalmoscope accommodates higher refractive errors with a 27 single lenses Rekoss Disc.

+ in 1 D steps: 1 – 10	15	20	40	D
– in 1 D steps: 1 – 10	15	20	25	35 D

BETA 200 LED Ophthalmoscope	LED
without handle	C-008.30.100

- ∴ Full functionality of the BETA 200 LED is guaranteed with BETA Rechargeable Handels and the EN 100/EN 200 Wall Transformers.

- EXCLUSIVELY AT HEINE**
- Aspherical optical system
 - LED in HQ with continuous brightness control
 - Aluminium frame system

BETA 200 with 6 apertures



Slit, fixation star with polar coordinates, cobalt blue filter, large spot, small spot, hemislot



With red-free filter

HEINE BETA® 200 Ophthalmoscope

Superior aspherical optics with XHL illumination



The ophthalmoscope with unique aspherical optics and all features of the BETA200 LED, but:

- ∴ XHL Xenon Halogen bulb with bright illumination and authentic colour rendering.

BETA 200 Ophthalmoscope	2.5V XHL	3.5V XHL
without handle	C-001.30.100	C-002.30.100

XHL Xenon Halogen spare bulb	X-001.88.069	X-002.88.070
------------------------------	--------------	--------------

BETA 200 M2 Ophthalmoscope	2.5V XHL	3.5V XHL
BETA 200 M2 Ophthalmoscope, without handle. Like BETA 200, except with pinhole instead of small spot and with fixation star aperture without polar coordinates.	C-001.30.102	C-002.30.102

BETA 200 M2 apertures



Slit, fixation star, cobalt blue filter, large spot, pinhole, hemislot



With red-free filter

HEINE BETA® 200/200S Ophthalmic Diagnostic Sets

with XHL or LED^{HO} illumination



Set complete with: **BETA 200 S Ophthalmoscope in XHL or LED**
1 spare bulb for XHL version, hard case

BETA 200 S Ophthalmoscope Sets	2.5V XHL	3.5V XHL	LED
BETA battery handle	C-261.10.118		
BETA 4 USB rechargeable handle with USB cord and plug-in power supply		C-261.27.388	C-261.28.388
BETA 4 USB rechargeable handle		C-261.27.387	C-261.28.387
BETA 4 NT rechargeable handle with NT 4 table charger		C-261.23.420	C-261.24.420



Set complete with: **BETA 200 Ophthalmoscope in XHL or LED**
1 spare bulb for XHL version, hard case

BETA 200 Ophthalmoscope Sets	2.5V XHL	3.5V XHL	LED
BETA battery handle	C-144.10.118*		
BETA 4 USB rechargeable handle with USB cord and plug-in power supply		C-144.27.388	C-144.28.388
BETA 4 USB rechargeable handle		C-144.27.387	C-144.28.387
BETA 4 NT rechargeable handle with NT 4 table charger		C-144.23.420	C-144.24.420

* Available with large battery handle X-001.99.120 (doesn't fit into hard cases). Please specify with your order.



Set complete with: **BETA 200 S Ophthalmoscope, BETA 200 Streak Retinoscope both with XHL or LED,**
1 spare bulb for each instrument for XHL version, hard case

BETA 200 S Ophthalmoscope Sets	2.5V XHL	3.5V XHL	LED
BETA battery handle	C-262.10.118		
BETA 4 USB rechargeable handle with USB cord and plug-in power supply		C-262.27.388	C-262.28.388
BETA 4 USB rechargeable handle		C-262.27.387	C-262.28.387
BETA 4 NT rechargeable handle with NT 4 table charger		C-262.23.420	C-262.24.420



Set complete with: **BETA 200 Ophthalmoscope, BETA 200 Streak Retinoscope both with XHL or LED,**
1 spare bulb for each instrument for XHL version, hard case

BETA 200 Ophthalmoscope Sets	2.5V XHL	3.5V XHL	LED
BETA battery handle	C-145.10.118		
BETA 4 USB rechargeable handle with USB cord and plug-in power supply		C-145.27.388	C-145.28.388
BETA 4 USB rechargeable handle		C-145.27.387	C-145.28.387
BETA 4 NT rechargeable handle with NT 4 table charger		C-145.23.420	C-145.24.420



HEINE Diagnostic Sets

 with XHL or LED^{HO} illumination



Set complete with: **BETA200 Ophthalmoscope, BETA400 F.O. Otoscope both in XHL or LED,**

- 1 set (4 pcs.) of reusable tips (B-000.11.111)
- 5 of both AllSpec disposable tips 2.5 and 4 mm Ø
- one spare bulb each for XHL version
- hard case

Diagnostic Sets	2.5V XHL	3.5V XHL	LED
BETA battery handle	A-153.10.118		
BETA4 USB rechargeable handle with USB cord and plug-in power supply		A-153.27.388	A-153.28.388



Set complete: **BETA200 Ophthalmoscope, BETA200 F.O. Otoscope both with XHL or LED,**

- 1 set of reusable tips (B-000.11.111)
- 5 of both AllSpec disposable tips 2.5 and 4 mm dia.
- one spare bulb each for XHL version
- hard case

Diagnostic Sets	2.5V XHL	3.5V XHL	LED
BETA battery handle	A-132.10.118		
BETA4 USB rechargeable handle with USB cord and plug-in power supply		A-132.27.388	A-132.28.388



Set complete: **BETA200 Ophthalmoscope in XHL or LED, BETA100 Diagnostic Otoscope**

- 1 set of reusable specula (B-000.11.221)
- 10 UniSpec disposable tips 4 mm dia. (B-000.11.237)
- one spare bulb each for XHL version
- hard case

Diagnostic Sets	2.5V XHL	3.5V XHL	3,5V XHL/LED*
BETA battery handle	A-234.10.118		
BETA4 USB rechargeable handle with USB cord and plug-in power supply		A-234.27.388	A-234.25.388
BETA4 USB rechargeable handle		A-234.27.387	A-234.25.387
BETA4 NT rechargeable handle with NT4 table charger		A-234.23.420	A-234.25.420

*BETA100 Otoscope with XHL illumination and BETA200 LED Ophthalmoscope with LED illumination.

HEINE Diagnostic Kits

with XHL or LED^{HO} illumination



Kit complete with: **BETA200 Ophthalmoscope, BETA400 F.O. Otoscope both in XHL or LED,**
 1 set (4 pcs.) of reusable tips (B-000.11.111)
 5 of both AllSpec disposable tips 2.5 and 4 mm Ø
 one spare bulb each for XHL version
 without hard case

	Diagnostic Kits	3.5V XHL	LED
NEW!	2x BETA4 NT rechargeable handle with NT4 table charger	A-153.23.422	A-153.24.422



Kit complete with: **BETA200 Ophthalmoscope, BETA200 F.O. Otoscope both with XHL or LED,**
 1 set (4 pcs.) of reusable tips (B-000.11.111)
 5 of both AllSpec disposable tips 2.5 and 4 mm Ø
 one spare bulb each for XHL version
 without hard case

	Diagnostic Kit	3.5V XHL	LED
NEW!	2x BETA4 NT rechargeable handle with NT4 table charger	A-132.23.422	A-132.24.422



HEINE K180® Ophthalmoscope

Standard direct ophthalmoscope



- ∴ Reduces corneal reflex
- ∴ Dust resistant

A full-featured instrument at an economical price.

- ∴ **Precision spherical HEINE optics.** Corneal and iris reflexes are eliminated.
- ∴ **XHL Xenon Halogen Technology.** Bright, white light. Clear retinal image.
- ∴ **Range of lenses: 27 lenses from -35D to +40D.** Brilliant image even at high corrections.

+ in 1 D steps:	1 – 10	15	20	40	D
- in 1 D steps:	1 – 10	15	20	25	35 D

- ∴ **Ergonomical shape.** The instrument fits the orbita comfortably.
- ∴ **Soft orbital rest.** Steadies the instrument and protects your glasses.
- ∴ **Choice of 5 apertures.** For both large and small pupils. Choice of fixation star or cobalt blue filter for corneal examination.
- ∴ **Dust resistant housing.** Maintenance-free.
- ∴ **High-impact polycarbonate housing for durability.**

K180 Ophthalmoscope	2.5V XHL	3.5V XHL
with aperture wheel 1, without handle	C-001.30.206	C-002.30.206
with aperture wheel 2, with cobalt blue filter, without handle	C-001.30.207	C-002.30.207
XHL Xenon Halogen spare bulb	X-001.88.084	X-002.88.086

K180 apertures



Aperture wheel 1:
Slit, red-free filter, fixation star with polar coordinates, large spot, small spot



Aperture wheel 2:
Slit, red-free filter, cobalt blue filter, large spot, small spot

HEINE K180® Diagnostic Sets

Set complete with: **K180 Ophthalmoscope**, in standard version with aperture wheel 1 soft pouch



K180 Ophthalmoscope Sets	2.5V XHL	3.5V XHL
BETA battery handle	C-182.10.118	
BETA4 USB rechargeable handle with USB cord and plug-in power supply		C-182.27.388
BETA4 USB rechargeable handle		C-182.27.387
BETA4 NT rechargeable handle with NT 4 table charger		C-182.23.420

Set complete with: **K180 Ophthalmoscope**, in standard version with aperture wheel 1

K180 F.O. Otoscope

1 set of reusable tips (B-000.11.111)
hard case



K180 Diagnostic Sets	2.5V XHL	3.5V XHL
BETA battery handle	A-279.10.118	
BETA4 USB rechargeable handle with USB cord and plug-in power supply		A-279.27.388
BETA4 USB rechargeable handle		A-279.27.387
BETA4 NT rechargeable handle with NT 4 table charger		A-279.23.420

HEINE mini3000® LED Ophthalmoscope

With LED illumination in HEINE Quality – LED^{HQ}

LED^{HQ}
LED NOW IN HEINE QUALITY.



- ∴ Maintenance-free pocket instrument
- ∴ Optimal colour rendering
- ∴ Typ. 10 hours operation time

Modern ophthalmoscope with maintenance-free LED illumination. Its brightness and colour rendering are comparable with a HEINE XHL Xenon Halogen Ophthalmoscope.

- ∴ **Maintenance-free**, no need to ever replace the LED.
- ∴ LED Thermal management for a **consistent light output throughout the whole working life**.
- ∴ HEINE has set a new standard which maintains that only the best is good enough, from the selection of materials to processing, from light intensity and thermal management to a colour rendering index as high as possible.
That's what we call LED in HEINE Quality – or LED^{HQ}.
- ∴ **Exclusive Battery Performance Indicator:** When the instrument is switched on, the maximum light intensity is shown, then the light intensity is regulated down to the level that corresponds to the current charge status of the battery so you know when your batteries need changing.
- ∴ **Fade-Out Feature:** brightness reduces slowly even with low residual capacity, for even more efficient use of dry or rechargeable batteries.
- ∴ **Operation time typ. 10 hours.** The batteries need to be changed less often and the rechargeable batteries last longer.
- ∴ **For further technical specifications, please see mini3000 Ophthalmoscope with XHL illumination on page 059.**

mini3000 LED Ophthalmoscope	2.5V LED
with mini3000 battery handle, with batteries	D-008.71.120
with mini3000 rechargeable handle (please order mini NT table charger separately)	D-008.71.200
without handle	D-008.71.105

mini3000 apertures



Fixation star, large spot, small spot, hemispot, red-free filter



HEINE mini3000 pocket instruments – a complete range of quality diagnostic instruments for your pocket. Available in black or blue. Please specify the colour you prefer when ordering. If not otherwise specified, we will supply black instruments.



To upgrade to a rechargeable instrument with mini NT table charger, please see page 145.



HEINE mini3000® LED Diagnostic Sets



Set complete with: **mini3000 LED Ophthalmoscope**
hard case

mini3000 LED Ophthalmoscope Set	2.5V LED
mini3000 battery handle with batteries	D-885.21.021



Set complete with: **mini3000 LED Ophthalmoscope, mini3000 LED F.O. Otoscope**
1 set = 4 reusable tips (B-000.11.111)
5 of both 2.5 and 4 mm dia. AllSpec disposable tips
hard case

mini3000 LED Ophthalmoscope, mini3000 LED F.O. Otoscope Set	2.5V LED
with 2 mini3000 battery handles with batteries	D-886.11.021



Set complete with: **mini3000 LED Ophthalmoscope, mini3000 LED F.O. Otoscope**
mini NT table charger
5 of both 2.5 and 4 mm dia. AllSpec disposable tips

mini3000 LED Ophthalmoscope, mini3000 LED F.O. Otoscope Set	2.5V LED
with 2 mini3000 rechargeable handles	D-860.11.022*

*with this Art. No. only available in black.

HEINE mini3000® Ophthalmoscope

Compact Pocket Ophthalmoscope with XHL illumination



- ∴ Modern pocket instrument
- ∴ 5 different apertures
- ∴ Dust resistant

Modern pocket ophthalmoscope with XHL Xenon Halogen bulb technology. Concentrated bright light for perfect illumination, a brilliant image and accurate colour rendering. Fixation star aperture with grey filter for reducing the light intensity. Excellent optics and best colour rendering in minimum dimensions, ideal for rounds and house calls. Can be used with the mini3000 handle system. Available in black and blue.

- ∴ **HEINE optics produce crisp, clear images of the whole area under examination** and minimise reflections.
 - ∴ **5 different apertures.** A full-function instrument incl. fixation star.
 - ∴ Grey filter for light-sensitive patients.
 - ∴ **Range of lenses: 18 lenses from -20D to +20D.**
- | | | | | | | | | | |
|---|---|---|---|---|---|---|----|----|-----|
| + | 1 | 2 | 3 | 4 | 6 | 8 | 10 | 15 | 20D |
| - | 1 | 2 | 3 | 4 | 6 | 8 | 10 | 15 | 20D |
- ∴ **Easy workflow,** because ophthalmoscopy is possible without dilation of the pupils.
 - ∴ **Attachment clip with integrated on/off switch.** Switches off automatically when returned to the pocket.
 - ∴ **Replaceable batteries.** Size AA, or optional rechargeable battery with mini NT table charger.*
 - ∴ **2-piece handle and head.** Easy to maintain, flexible.
 - ∴ **Award-winning design.** Maximum quality with minimum dimensions.

mini3000 Ophthalmoscope	2.5V XHL
with mini3000 battery handle, with batteries	D-001.71.120
with mini3000 rechargeable handle (please order mini NT table charger separately)	D-001.71.200
without handle	D-001.71.105
 XHL Xenon Halogen spare bulb	 X-001.88.106

mini3000 apertures



Fixation star, large spot, small spot, hemispot, red-free filter



HEINE mini3000 pocket instruments – a complete range of quality diagnostic instruments for your pocket. Available in black or blue. Please specify the colour you prefer when ordering. If not otherwise specified, we will supply black instruments.



* To upgrade to a rechargeable instrument with mini NT table charger, please see page 145.

HEINE mini3000® Diagnostic Sets



Set complete with: mini3000 Ophthalmoscope hard case

mini 3000 Ophthalmoscope Set	2.5V X-HL
mini3000 battery handle with batteries	D-852.10.021



Set complete with: mini3000 Ophthalmoscope, mini 3000 F.O. Otoscope
1 set = 4 reusable tips (B-000.11.111)
5 of both 2.5 and 4mm dia. AllSpec disposable tips
hard case

mini 3000 Ophthalmoscope, mini 3000 F.O. Otoscope Set	2.5V X-HL
with 2 mini3000 battery handles with batteries	D-873.11.021
as above but with mini3000 Otoscope instead of mini 3000 F.O. Otoscope	D-873.21.021



Set complete with: mini3000 Ophthalmoscope, mini 3000 F.O. Otoscope
miniNT table charger
5 of both 2.5 and 4mm dia. AllSpec disposable tips

mini 3000 Ophthalmoscope, mini 3000 F.O. Otoscope Set	2.5V X-HL
with 2 mini 3000 rechargeable handles	D-859.11.022*

*with this Art. No. only available in black.